



Zero Speed Splicer u40

Keep your printer running



The Splicer u40 solution includes two unwinders, a splicing unit and a buffer.

- ✓ **Roll change on the fly**
- ✓ **Increase printer uptime**
- ✓ **Reduce paper waste**
- ✓ **Maintain application flexibility**

Maximize your investment in high-speed continuous digital color printing. The Zero Speed Splicer u40 automatically changes input rolls, thus eliminating printer stoppages for roll changes and keeping your printer running at full speed and full productivity.

Printer stoppages due to roll changeover can last up to fifteen minutes. With today's fast printers running through a roll as quickly as one hour, percentage downtime due to roll changes can approach 25%. With the Zero Speed Splicer u40, this percentage drops to zero. Significantly, the Splicer u40 also virtually eliminates the lengthy paper waste associated with printer stoppages due to roll depletion.

Zero Speed Splicer u40 offers a high degree of flexibility to your operation, accommodating a broad variation in paper weights in successive rolls, and even accommodating variation in successive roll widths. The web may be justified to the left, right or center, allowing the Splicer u40 to work with varying digital production printers.

Global service and around-the-clock support help ensure our reputation as the industry's reliability leader. Our products increase productivity, cut labor and paper costs, and even make new applications possible - TecnaU solutions truly empower digital print to help you do more with less.



Zero Speed Splicer u40

Keep your printer running

The Zero Speed Splicer u40 includes two roll unwinders, two 90° web guides to assure precision at the splicing edge, a central splicing unit and a buffer.

The user-friendly unwinders include automatic decurling, no-lift roll mounting and a self-centering design. Rolls up to 52"

in diameter are loaded quickly and easily into the unwinder directly from an optional roll cart - access to the web loading stations is quick and convenient. The unwinders feed paper to the central splicing unit to increase flexibility and printer uptime.

The Splicer u40 is able to maintain the

maximum printer speed while the splice is made and the new roll is accelerated to the process speed, increasing total line productivity.

The Splicer u40 permits mixing of paper quality, paper grade and web width between rolls, thus supporting real book on demand production when paired with an in-line binding solution.

With automatic compression of splices and an interface with compatible printers to raise the print heads while the splice passes by, the Splicer u40 protects the print heads from damage.

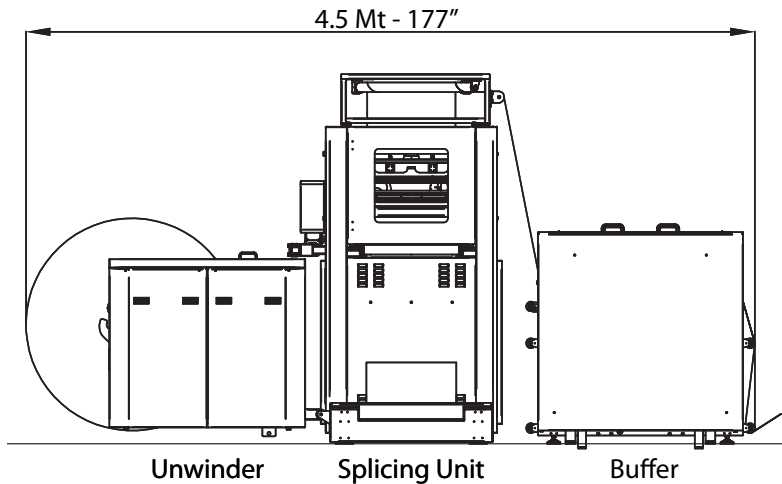
Optional Capabilities

Roll carts

Easily move, store and load paper rolls.



Easy transport



Technical Specifications

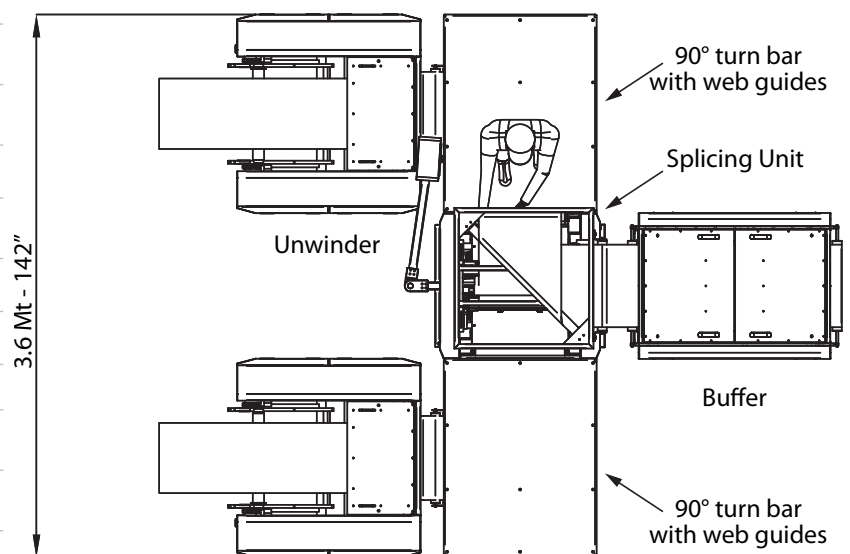
Performance / Media

Speed Max	500 ft/min	150 m/min
Paper Weight	50 - 180 gsm	13.3# bond - 120# offset
Paper weight variation:	Fully variable between rolls for automatic splicing	
Web width	8" - 20.5"	200 - 521 mm
Web width variation	2" (50 mm) max between rolls for automatic splicing	
Roll diameter	4" - 52"	100 - 1320 mm
Roll weight max	1450 lbs	650 kg

Electrical

Power	400 - 480 +6%-10% VAC, 3 Phase
	50/60 Hz, 30A
Air	85 - 100 psi @ 3cfm (dry & filtered)
	6 - 7 bar @ 80 l/min (dry & filtered)

Configuration Example (T configuration is also available)



TECNAU

w w w . t e c n a u . c o m

Europe	Italy	+39 0125 631678	info.it@tecna.com
	Sweden	+46 372 256 00	info.se@tecna.com
Americas	USA	+1 978 608 0500	info.us@tecna.com
Asia Pacific	China	+86 159 00710147	info.cn@tecna.com
	Singapore	+65 6793 9478	info.sg@tecna.com