

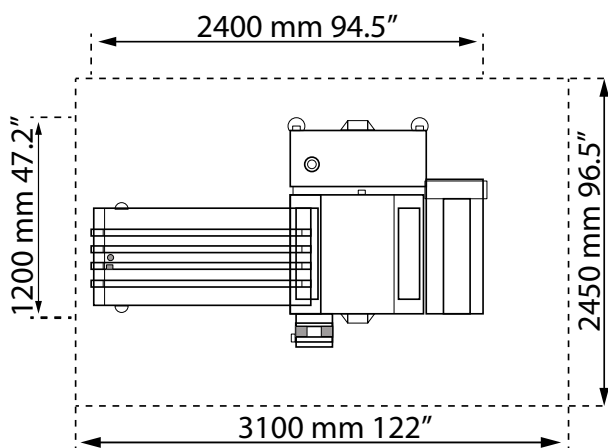
Folder 92

Automatic Folding



- ✓ Automatic forms loading
- ✓ Pinless or pinfed paper
- ✓ Optional delivery table run-out

Service Area



Technical Specifications

Performance / Media

Speed max.	360 ft/min	110 m/min
Feeding	Pinfed or Pinless	
Paper weight	15# bond - 110# bond index 55 - 200 gsm	
Web width	6" - 19.5"	155 mm - 495 mm
Sheet length	6" - 16"	155 - 405 mm

Options

Vertical Stack Turner	AutoLoad Table T3
Transport Cart	Delivery Table
Motor upgrade (enables easy transfer to Vertical Stack Turner or Stack Racks)	
Option pinless	

Electrical

Power	10A, 200 - 240 VAC, 50/60 Hz or (North America) 15A, 110 - 120VAC, 50/60Hz
Consumption	250 W (in use) 80 W (idle)
Heat output	170 kcal/h - 720 kJ/h - 680 BTU/h

Environmental

Temperature	60 - 80° F	15 - 27° C
Acoustics	65 dB(A)	
Humidity	50 ±10%	

Dimensions

Length	45.3"	1150 mm
Incl. delivery table	94.5"	2400 mm
Width Incl. display	48.8	1240 mm
Height	59"	1500 mm
Weight	1235 lb	580 kg
Color	Gray	

Approvals

CE (98/37/EG), EMC, cUL, FCC

Product Specifications



17042015

©2015 Tecna. All rights reserved. The Tecna name and logo are trademarks of Tecna. Tecna reserves the right to make any technical amendments without prior notification.



TECNAU
w w w . t e c n a u . c o m

Europe	Italy	+39 0125 631678	info.it@tecna.com
	Sweden	+46 372 256 00	info.se@tecna.com
Americas	USA	+1 978 608 0500	info.us@tecna.com
Asia Pacific	China	+86 159 00710147	info.cn@tecna.com
	Singapore	+65 6793 9478	info.sg@tecna.com